

1.25Gbps Simplex Fiber SFP Transceiver

>> Features

- Up to 1.25Gbps data rate
- All-metal shell, simplex LC or SC receptacle.
- +3.3V single power supply
- Hot-pluggable
- Standard PECL data output and input with signal detect indication
- High quality laser and photodetector
- Compliant with SFP MSA and SFF-8472
- Optional Digital Diagnostic Monitoring
- Standard level and Industrial level products for customers

>> Applications

- Gigabit Ethernet
- Fiber Channel
- Switch to Switch interface
- Switched backplane applications
- Router/Server interface
- Other optical transmission systems

>> Ordering Information

Model No.	Data Rate	Wavelength	Distance	Connector	DDM
SFP-WDM-SM-0203B	1.25Gbps	Tx1550nm/Rx1310nm	SMF 3km	Simplex LC or SC	Optional
SFP-WDM-SM-0203A	1.25Gbps	Tx1310nm/Rx1550nm	SMF 3km	Simplex LC or SC	Optional
SFP-WDM-SM-0220B	1.25Gbps	Tx1550nm/Rx1310nm	SMF 20km	Simplex LC or SC	Optional
SFP-WDM-SM-0220A	1.25Gbps	Tx1310nm/Rx1550nm	SMF 20km	Simplex LC or SC	Optional
SFP-WDM-SM-0240B	1.25Gbps	Tx1550nm/Rx1310nm	SMF 40km	Simplex LC or SC	Optional
SFP-WDM-SM-0240A	1.25Gbps	Tx1310nm/Rx1550nm	SMF 40km	Simplex LC or SC	Optional
SFP-WDM-SM-0260B	1.25Gbps	Tx1550nm/Rx1490nm	SMF 60km	Simplex LC or SC	Optional
SFP-WDM-SM-0260A	1.25Gbps	Tx1490nm/Rx1550nm	SMF 60km	Simplex LC or SC	Optional
SFP-WDM-SM-0280B	1.25Gbps	Tx1550nm/Rx1490nm	SMF 80km	Simplex LC or SC	Optional
SFP-WDM-SM-0280A	1.25Gbps	Tx1490nm/Rx1550nm	SMF 80km	Simplex LC or SC	Optional
SFP-WDM-SM-02120B	1.25Gbps	Tx1550nm/Rx1490nm	SMF 120km	Simplex LC or SC	Optional
SFP-WDM-SM-02120A	1.25Gbps	Tx1490nm/Rx1550nm	SMF 120km	Simplex LC or SC	Optional



>> Specifications

Parameters	Symbol	Min	Type	Max	unit	Note
Absolute Maximum Ratings						
Storage Temperature	T _s	-40		+85	°C	
Supply Voltage	V _{cc}	-0.5		4.5	V	
Relative Humidity	R _H	5		95	%	
Recommended Operating Conditions						
Operating Temperature Range	T _c	0		+70	°C	Standard
	T _c	-40		+85	°C	Industrial
Supply Voltage	V _{cc}	+3.13	+3.3	+3.47	V	
Data Rate			1.25		Gbps	
Electrical Characteristics						
Module Supply Current	I _{cc}			300	mA	
Inrush Current	I _{RUSH}			30	mA	
Input differential impedance	R _{in}		100			
Transmitter Single Ended Input Voltage (TD±)	V _{in}	400		1800	mV	
Transmit Fault (TX_Fault)	V _{OH}	2.0		3.3	V	
LOSS of Signal (LOS)	V _{OL}	0		0.8	V	
Transmit Disable Input Low	V _{IL}	0		0.8	V	
Transmit Disable Input High	V _{IH}	2.4		3.3	V	
Receiver Single Ended Output Voltage (RD±)	V _{out}	200		800	mV	
Optical transmitter Characteristics						
Center Wavelength	λ	1260	1310	1360	nm	
		1540	1550	1560	nm	
		1480	1490	1500	nm	
Optical Power	P ₀	See the Optical Parameters Table below				
Optical Rise Time	T _r		120	150	ps	
Optical Fall Time	T _f		120	150	ps	
Extinction Ratio	Ext	9			dB	
Spectral Width	Δλ			4	nm	FP-LD, RMS
	Δλ			1	nm	DFB-LD, -20dB
Eye Mask		Compliant with Eye Mask Defined in IEEE802.3				
Optical receiver Characteristics						
Center Wavelength	λ	1100		1650	nm	
Receive Optical Sensitivity	Sen	See the Optical Parameters Table below				
LOS output (TTL high level)	V _{Los}	2			V	
Receiver Overload	P _{inMAX}	-3			dBm	
LOS Assert	P _{LOS_A}	-32			dBm	

LOS De-Assert	P _{LOS_D}			-28	dBm	
LOS Hysteresis	P _H	0.5	2	4	dB	$10\log(V_{DE-ASSERT}/V_{ASSERT})$

Note:

1. Measured with a PRBS 2⁷-1 test pattern @1250Mbps, BER≤1×10⁻¹².

>>Optical Parameters Table

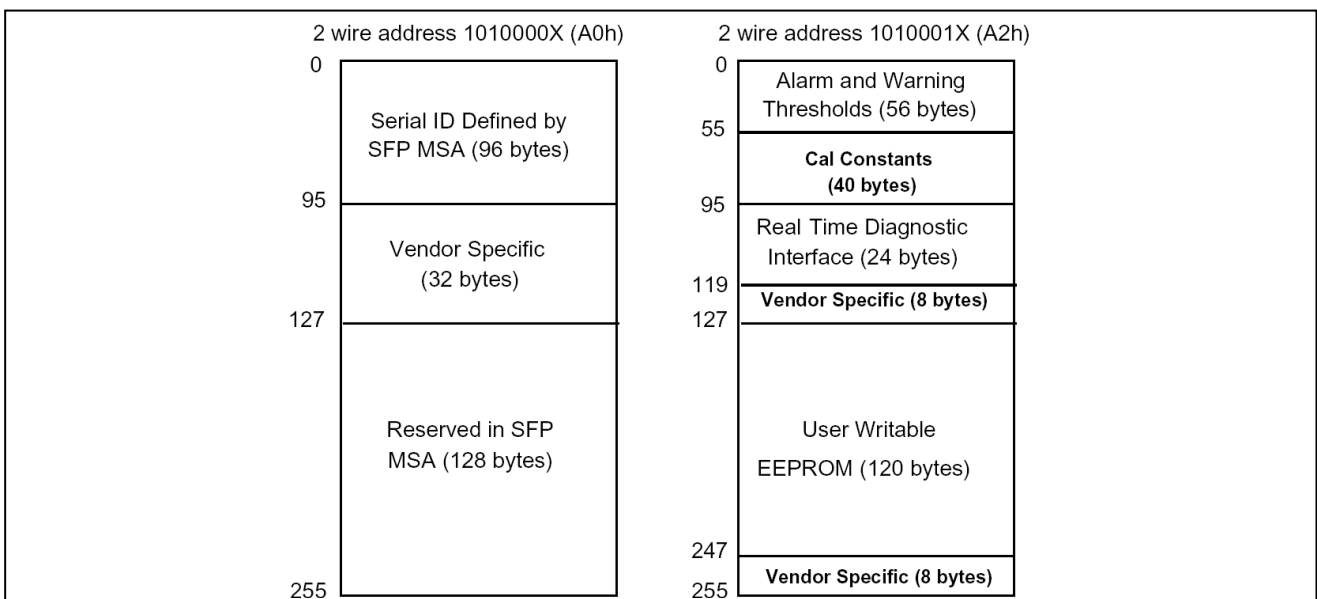
Data rate	LD	Wavelength	Power	Sensitivity	Distance
1.25G	FP	Tx1550/Rx1310nm	-9~-3dBm	<-21dBm	SMF 3km
1.25G	FP	Tx1310/Rx1550nm	-9~-3dBm	<-21dBm	SMF 3km
1.25G	DFB	Tx1550/Rx1310nm	-9~-3dBm	<-22dBm	SMF 20km
1.25G	FP	Tx1310/Rx1550nm	-9~-3dBm	<-22dBm	SMF 20km
1.25G	DFB	Tx1550/Rx1310nm	-5~0dBm	<-23dBm	SMF 40km
1.25G	DFB	Tx1310/Rx1550nm	-5~0dBm	<-23dBm	SMF 40km
1.25G	DFB	Tx1550/Rx1490nm	0~5dBm	<-24dBm	SMF 80km
1.25G	DFB	Tx1490/Rx1550nm	0~5dBm	<-24dBm	SMF 80km
1.25G	DFB	Tx1550/Rx1490nm	0~5dBm	<-32dBm	SMF 120km
1.25G	DFB	Tx1490/Rx1550nm	0~5dBm	<-32dBm	SMF 120km

>>Digital Diagnostic Memory Map

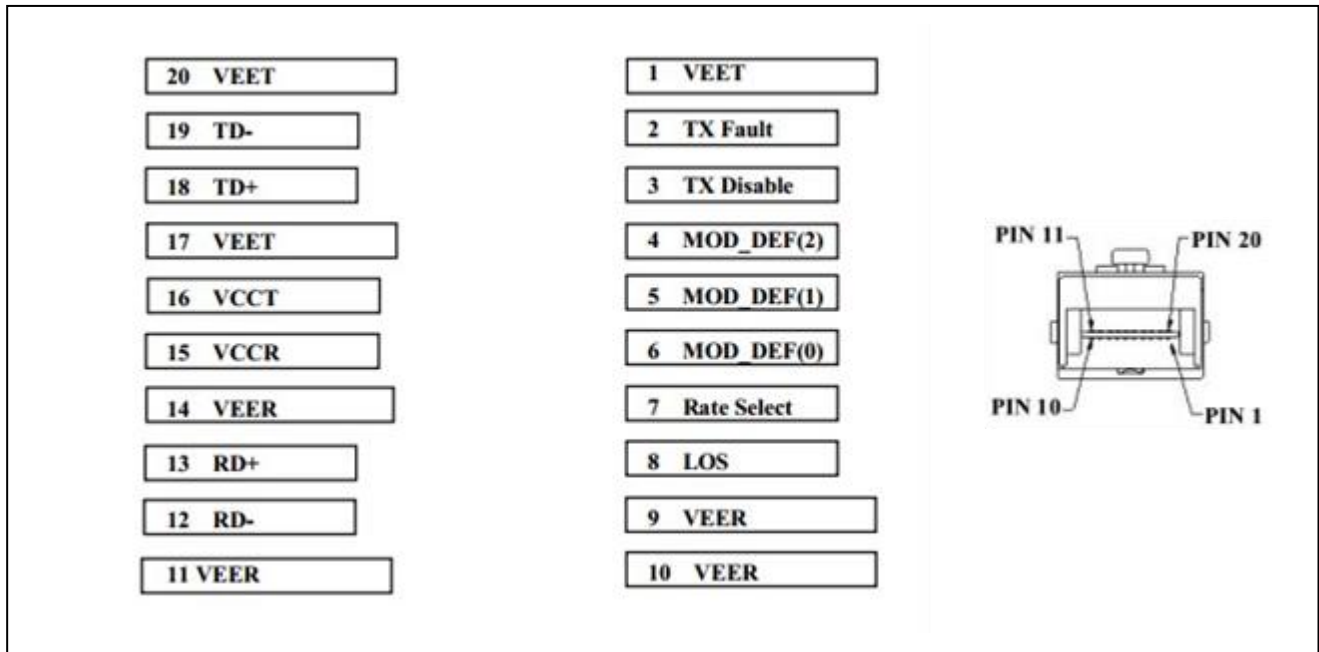
The transceivers provide serial ID memory contents and diagnostic information about the present operating conditions by the 2-wire serial interface (SCL, SDA).

The diagnostic information with internal calibration or external calibration all are implemented, including received power monitoring, transmitted power monitoring, bias current monitoring, supply voltage monitoring and temperature monitoring.

The digital diagnostic memory map specific data field defines as following.



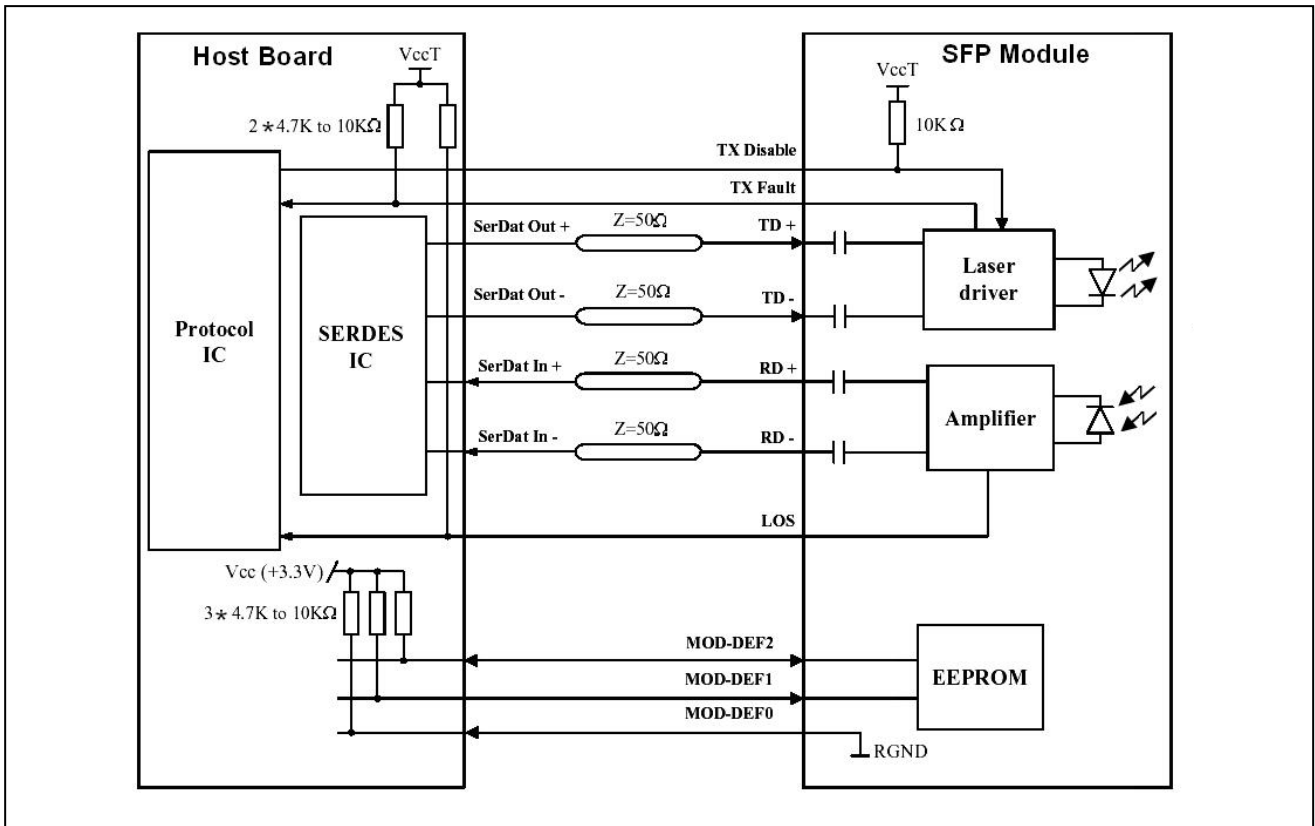
>>SFP Transceiver Electrical Pad Layout



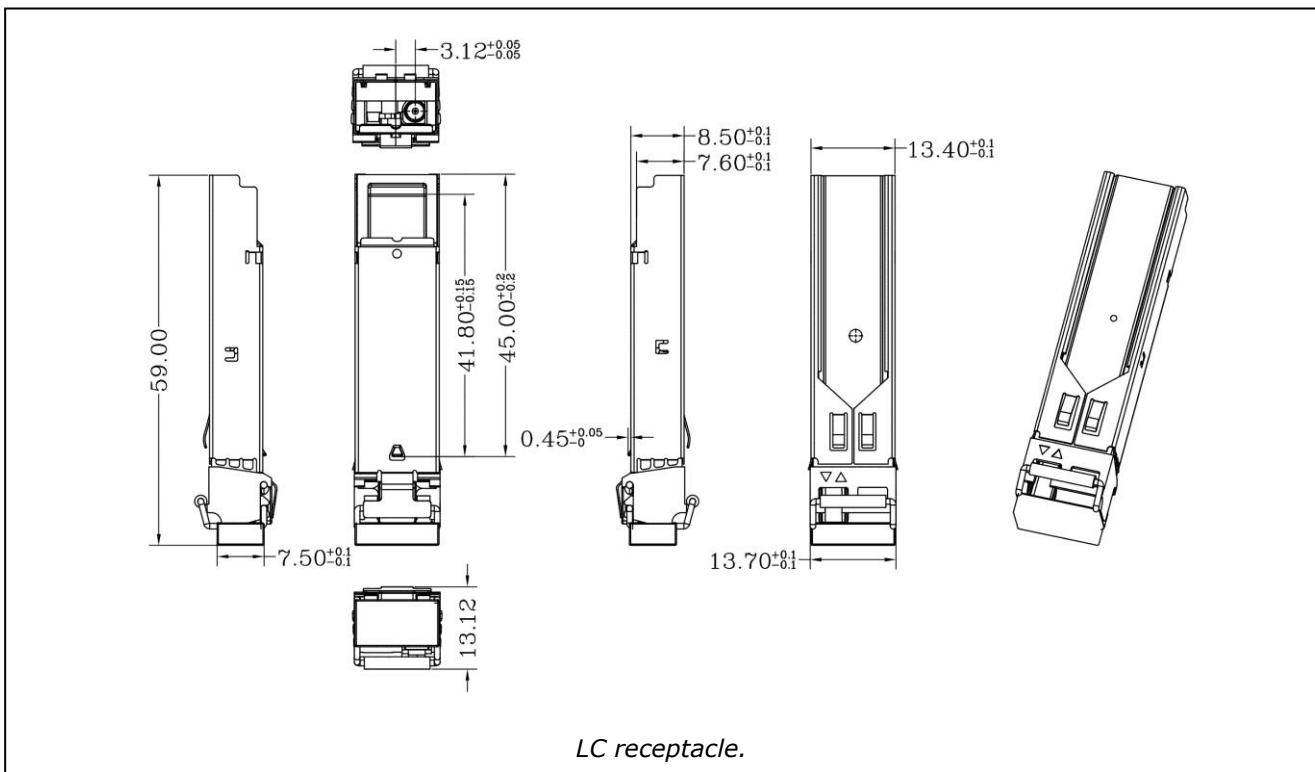
>>Pin Descriptions

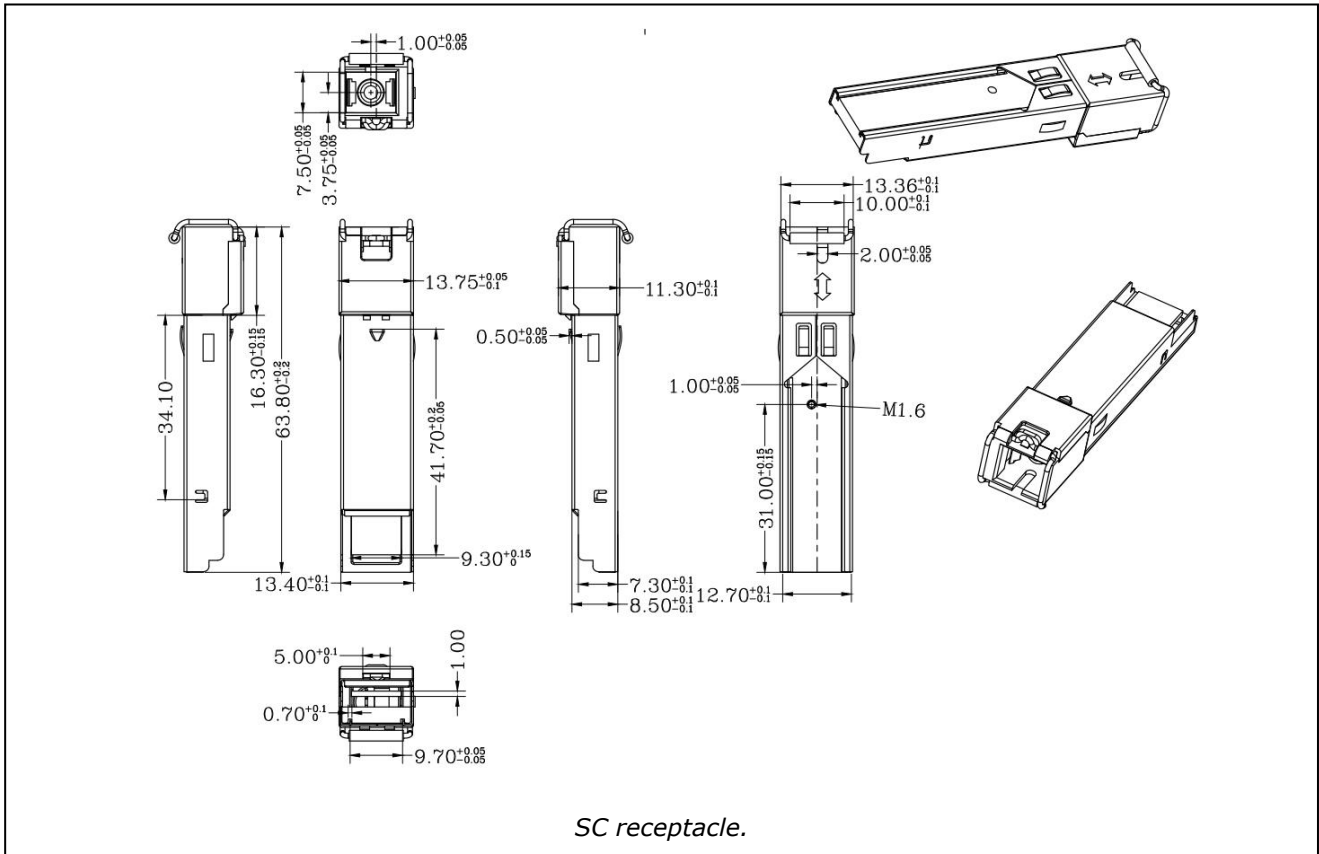
Pin	Signal Name	Description
1	VeeT	Transmitter Ground
2	TX Fault	Transmitter Fault Indication
3	TX Disable	Transmitter Disable
4	MOD-DEF2	Module Definition 2
5	MOD-DEF1	Module Definition 1
6	MOD-DEF0	Module Definition 0
7	Rate Select	Select between full or reduced
8	LOS	Loss of Signal
9	VeeR	Receiver Ground
10	VeeR	Receiver Ground
11	VeeR	Receiver Ground
12	RD-	Inv. Received Data Out
13	RD+	Received Data Out
14	VeeR	Receiver Ground
15	VccR	Receiver Power
16	VccT	Transmitter Power
17	VeeT	Transmitter Ground
18	TD+	Transmit Data In
19	TD-	Inv. Transmit Data In
20	VeeT	Transmitter Ground

>> Recommended Interface Circuit



>> Mechanical Dimensions





>> Important Notice

Performance figures, data and any illustrative material provided in this data sheet are typical and must be specifically confirmed in writing by OPTONE before they become applicable to any particular order or contract. In accordance with the OPTONE policy of continuous improvement specifications may change without notice.

The publication of information in this data sheet does not imply freedom from patent or other protective rights of OPTONE or others. Further details are available from any OPTONE sales representative.

sales@optone.net
<http://www.optone.net>



Edition AUG 06, 2018
 Published by Optone Technology Limited
 Copyright © OPTONE
 All Rights Reserved