

GPON-OLT-20

OLT for ITU-T G.984.2 Class B+
2.488Gbps Downstream and 1.244Gbps Upstream

Features

- SFP Package with SC receptacle
- 1.244Gbps, 1310nm BM APD Receiver
- 2.488Gbps, 1490nm Transmitter With Isolator
- Fast Signal Detect feature reduces rangingoverhead
- Simplified OLT Reset Timing
- Compliant With ITU-T G.984.2
- Squelched RX output
- Up to 20km distance at 9/125µm G.652 SMF
- Complies with RoHS directive (2002/95/EC)
- Operating case temperature: Standard: 0 to +70°C



Applications

- GPON 20km OLT Side
- Access Networks
- Fiber to the Home, Curb, Office(FTTx)

Description

Optone's high performance GPON OLT transceiver module is designed for Passive Optical Network application, 2.488Gbps downstream and 1.244Gbps upstream. It is fully compliant with ITU-T G.984.2.

The GPON OLT transceiver is packaged of small form factor pluggable with SC receptacle. The digital diagnostic monitoring function is compliant with SFP MSA.

The module consists of 1490nm DFB Laser, APD detector and WDM filter in a high-integrated optical sub-assembly. It transmits 2.488Gbps at 1490nm, and receives 1.244Gbps at 1310nm in burst mode.

Absolute Maximum Ratings

Table 1 - Absolute Maximum Ratings

Parameter	Symbol	Min.	Max.	Units	Notes
Storage Temperature	Tst	-40	+85	°C	-
Operating Case Temperature	Tc	0	70	°C	-
Operating Humidity	RH	5	90	%	Non-condensing
Supply Voltage	Vcc	0	4.0	V	

Recommended Operating Conditions

Parameter	Symbol	Min	Typical	Max	Unit
Operating Case Temperature	Tc	0	-	+70	°C
Power Supply Voltage	Vcc	3.13	3.3	3.47	V
Power Supply Current	Icc	-	-	500	mA
Date Rate	Upstream/Downstream		1.244/2.488		Gbps

Electrical Characteristics

Parameter	Symbol	Min	Typical	Max	Unit	Notes
Transmitter						
LVPECL Compatible Inputs(Differential)	Vin	200		1600	mVpp	AC coupled internally
Input Impedance (Differential)	Zin	90	100	110	ohms	Rin > 100 kohms @ DC
Tx Disable		2		Vcc	V	
Tx Enable		0		0.8	V	
Tx Fault_High		2.4		Vcc	V	
Tx Fault_Normal		0		0.4	V	
Receiver						
LVPECL Outputs (Differential)	Vout	400		1600	mVpp	DC coupled outputs
BRST_DET	High	2		Vcc	V	
	Low	0		0.8	V	

Optical Characteristics

Parameter	Symbol	Min	Typical	Max	Unit	Notes
Date Rate (Upstream/Downstream)			1.244/2.488		Gbps	
Transmitter						
Centre Wavelength	λ_c	1480	1490	1500	nm	
Spectral Width (-20dB)	$\Delta\lambda$			1	nm	
Side Mode Suppression Ratio	SMSRR	30			dB	
Average Output Power	P _{out}	1.5		5	dBm	1
Downstream optical penalty				1	dB	
Extinction Ratio	ER	10			dB	2
Tolerance to Tx back reflection		-15			dB	
Rise/Fall Time(20%~80%)	tr/tf			160	ps	2,3
Output Optical Eye	ITU-T G.984.2 Compliant					
Optical Output Power with TX OFF	P _{off}			-40	dBm	
Receiver						
Centre Wavelength	λ_c	1260	1310	1360	nm	
Receiver Sensitivity	P _{min}			-28	dBm	4
Receiver Overload	P _{max}	-8			dBm	4
Receiver Burst-Mode Dynamic Range		15	20		dB	5
Receiver Reflectance	CR			-20	dB	
Signal Detect Assert Level	SDA			-30	dBm	
Signal Detect De-Assert Level	SDD	-42			dBm	
Signal Detect Hysteresis		0.5	2	6	dB	6
Receiver CID Tolerance	CID	72			bits	
Damage Threshold for Receiver	P _{in, damage}	0			dBm	
Maximum Receiver Reflectance	R _{x_r}			-20	dB	

Notes:

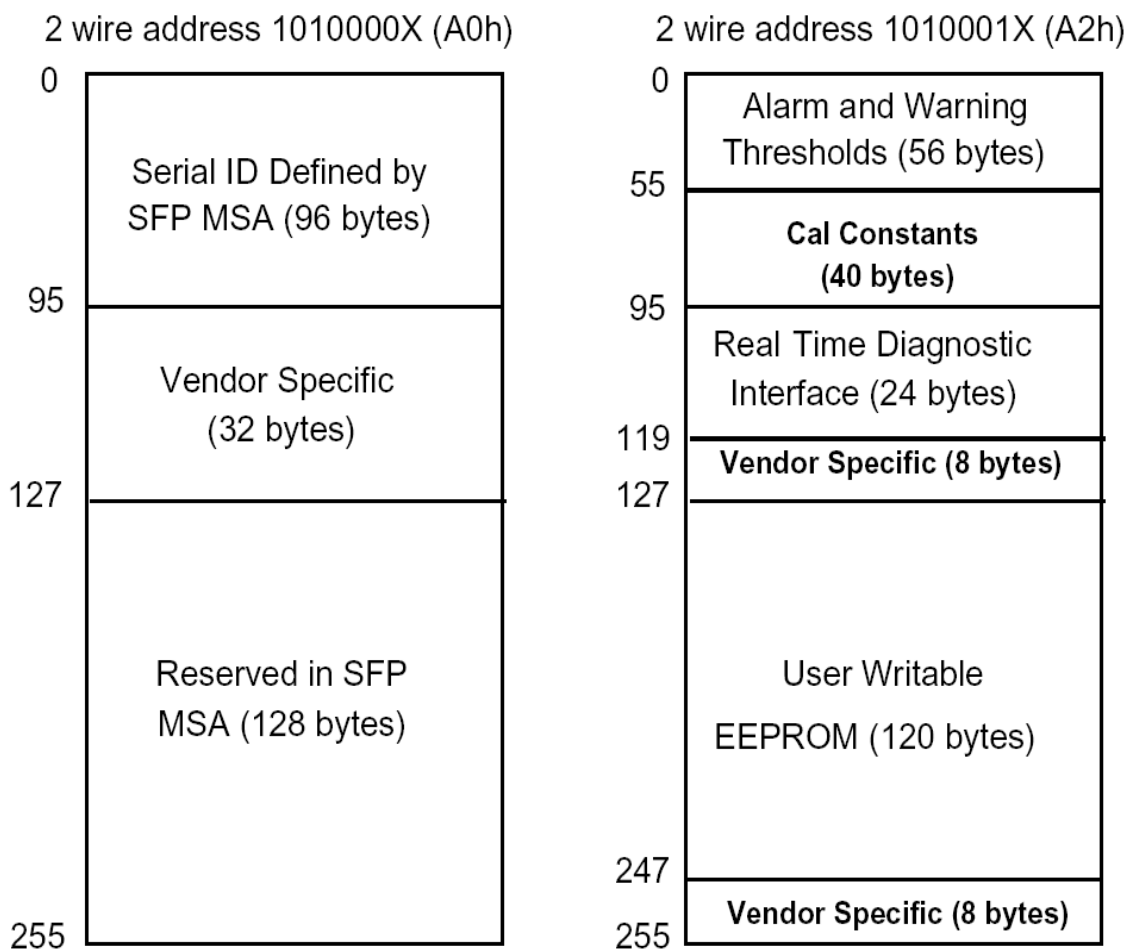
- 1: Measured with 9/125um G.652 SMF.
- 2: Filtered, Measured with PRBS^{2²³} -1 test pattern @2.488Gbps.
- 3: Measured with the Bessel-Thompson filter OFF.
- 4: Measured with a PRBS 2²³ -1 test pattern @1.244Gbps, BER 1X10⁻¹⁰.
- 5: The input power difference between two subsequent high and low burst data.
- 6: LOS Hysteresis(SD signal coincides with the LOS signal inversion)

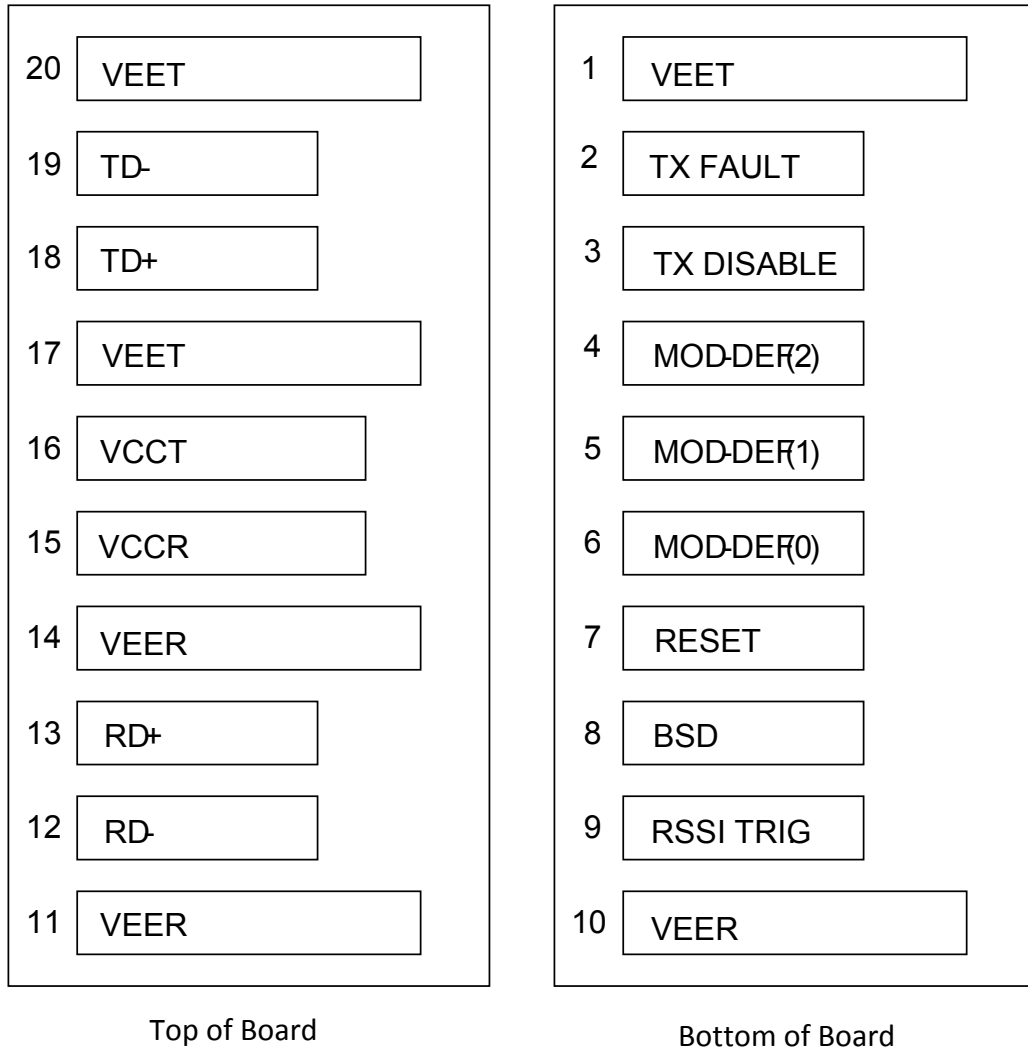
Digital Diagnostic Memory Map

The transceivers provide serial ID memory contents and diagnostic information about the present operating conditions by the 2-wire serial interface (SCL, SDA).

The diagnostic information with internal calibration or external calibration all are implemented, including received power monitoring, transmitted power monitoring, bias current monitoring, supply voltage monitoring and temperature monitoring.

The digital diagnostic memory map specific data field defines as following.



Pin Diagram

Pin Descriptions

Pin	Signal Name	Description	Plug Seq.	Notes
1	V _{EET}	Transmitter Ground	1	
2	TX FAULT	Transmitter Fault Indication	3	Note 1
3	TX DISABLE	Transmitter Disable	3	Note 2
4	MOD_DEF(2)	SDA Serial Data Signal	3	Note 3
5	MOD_DEF(1)	SCL Serial Clock Signal	3	Note 3

6	MOD_DEF(0)	TTL Low	3	Note 3
7	RESET	LVTTL input. Assert "Reset" high at the end of previous burst, 16 bits in duration	3	Note 4
8	BSD	Burst signal detect	3	Note 5
9	RSSI TRIG.	CMOS input. Assert high at the beginning of the monitored burst package, at least 300ns in duration	3	Note 6
10	V _{EER}	Receiver ground	1	
11	V _{EER}	Receiver ground	1	
12	RD-	Inv. Received Data Out	3	Note 7
13	RD+	Received Data Out	3	Note 7
14	V _{EER}	Receiver ground	1	
15	V _{CCR}	Receiver Power Supply	2	
16	V _{CCT}	Transmitter Power Supply	2	
17	V _{EET}	Transmitter Ground	1	
18	TD+	Transmit Data In	3	Note 8
19	TD-	Inv. Transmit Data In	3	Note 8
20	V _{EET}	Transmitter Ground	1	

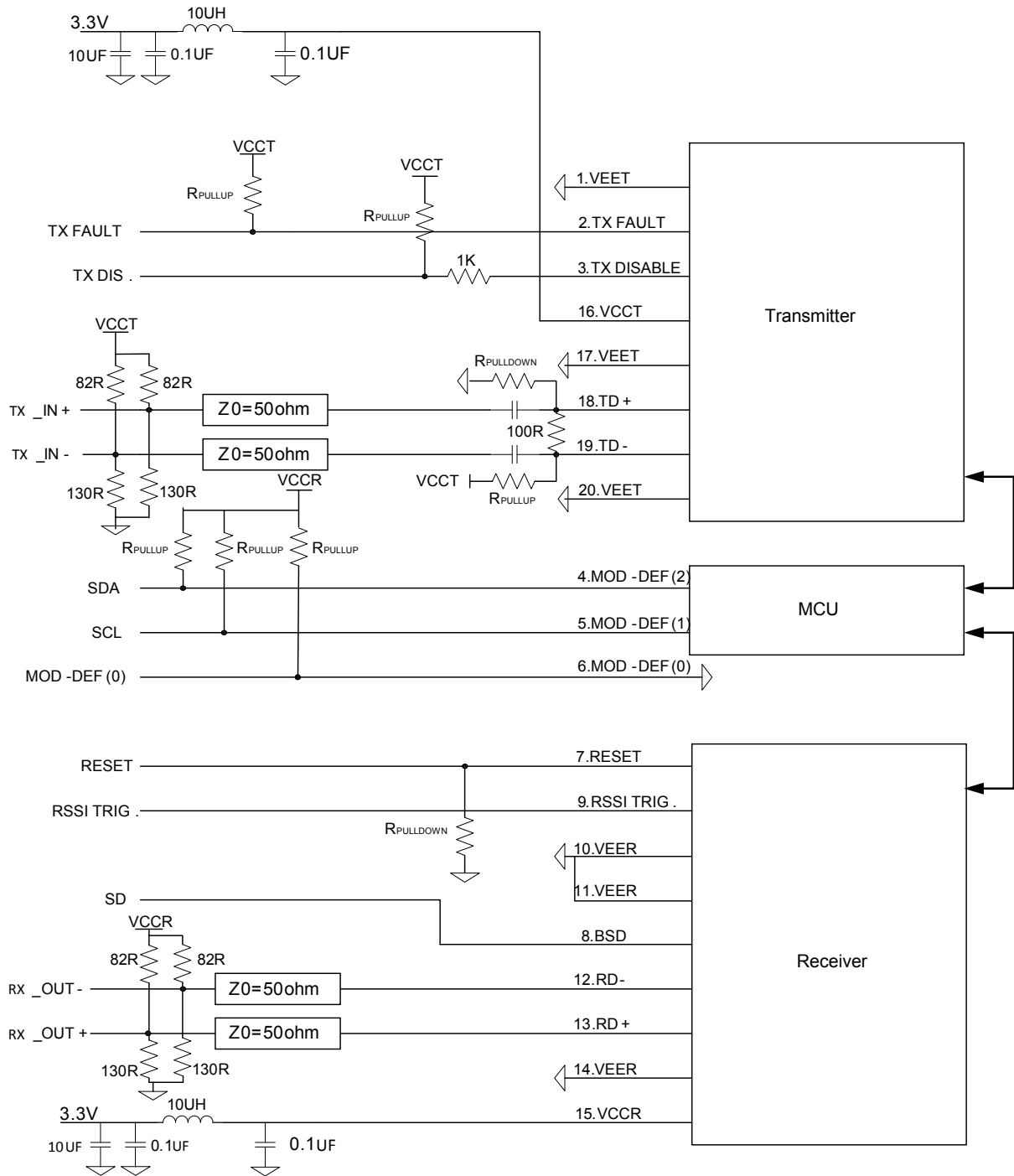
Notes:

Plug Seq.: Pin engagement sequence during hot plugging.

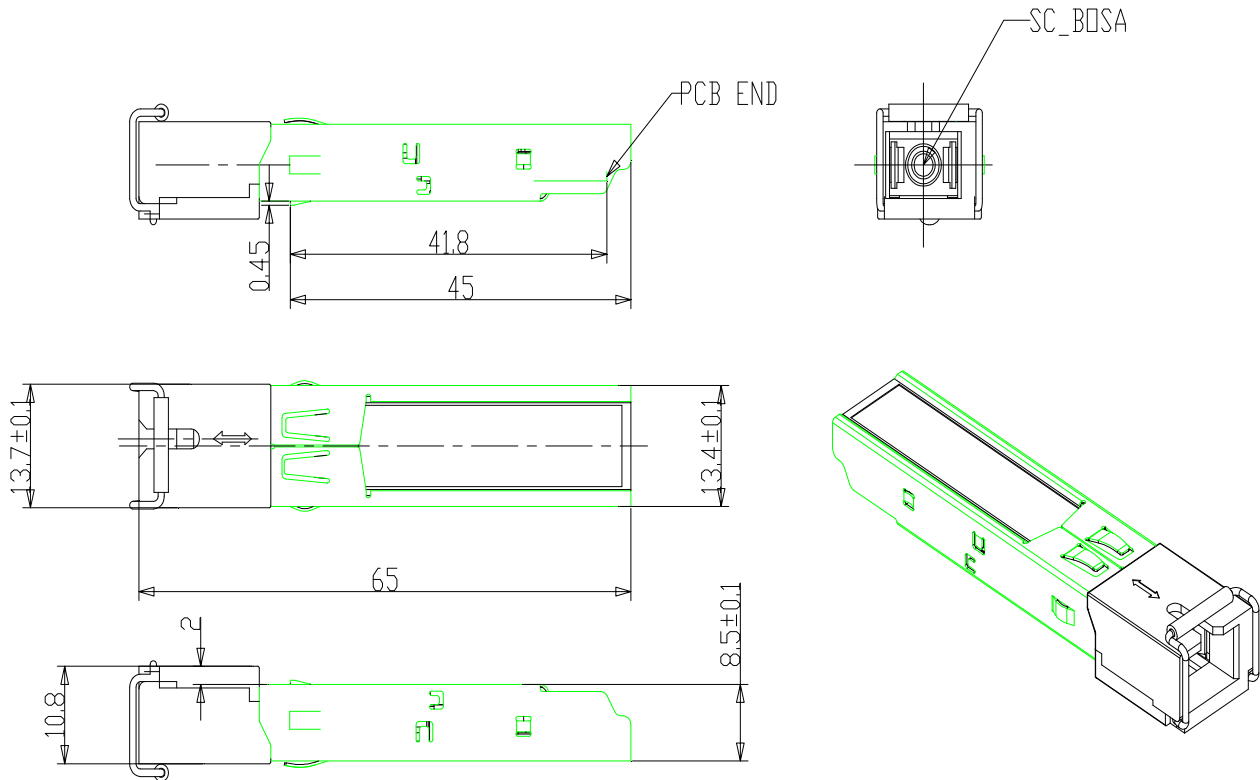
- 1) TX Fault is an open collector output, which should be pulled up with a 4.7k~10kΩ resistor on the host board to a voltage between 2.0V and V_{cc}+0.3V. Logic 0 indicates normal operation; Logic 1 indicates a laser fault of some kind. In the low state, the output will be pulled to less than 0.8V.
- 2) TX Disable is an input that is used to shut down the transmitter optical output. It is pulled up within the module with a 4.7k~10kΩ resistor. Its states are:

Low (0 to 0.8V):	Transmitter on
(>0.8V, < 2.0V):	Undefined
High (2.0 to 3.465V):	Transmitter Disabled
Open:	Transmitter Disabled
- 3) Mod-Def 0,1,2. These are the module definition pins. They should be pulled up with a 4.7k~10kΩ resistor on the host board. The pull-up voltage shall be V_{ccT} or V_{ccR}.
 - Mod-Def 0 is grounded by the module to indicate that the module is present
 - Mod-Def 1 is the clock line of two wire serial interface for serial ID
 - Mod-Def 2 is the data line of two wire serial interface for serial ID
- 4) RESET is a LVTTL input. When the previous burst signal package is end, the host will give a "high" RESET to restore the state of LA. Internal pull-down 10K resistor to GND.
- 5) BSD can track the state of receiving burst signal. Logic 0 indicates loss of signal; Logic 1 indicates receiving signal packages.
- 6) RSSI TRIG is a CMOS input. Assert high after 30ns delay time of the beginning of the monitored burst package, at least 300ns in duration.
- 7) RD-/+ : These are the differential receiver outputs. They are internally DC-coupled 100 differential lines which should be terminated with 100Ω (differential) at the user SERDES.
- 8) TD-/+ : These are the differential transmitter inputs. They are internally AC-coupled, differential lines with 100Ω differential termination inside the module.

Recommended Interface Circuit



Mechanical Dimensions



Ordering information

Part Number	Product Description
GPON-OLT-20	Tx1490nm/Rx1310nm, 2.5Gbps/1.25Gbps, SC, 20km, Class B+, 0°C~+70°C, With DDM

Important Notice

Performance figures, data and any illustrative material provided in this data sheet are typical and must be specifically confirmed in writing by OPTONE before they become applicable to any particular order or contract. In accordance with the OPTONE policy of continuous improvement specifications may change without notice.

The publication of information in this data sheet does not imply freedom from patent or other protective rights of OPTONE or others. Further details are available from any OPTONE sales representative.

sales@optone.net
<http://www.optone.net>